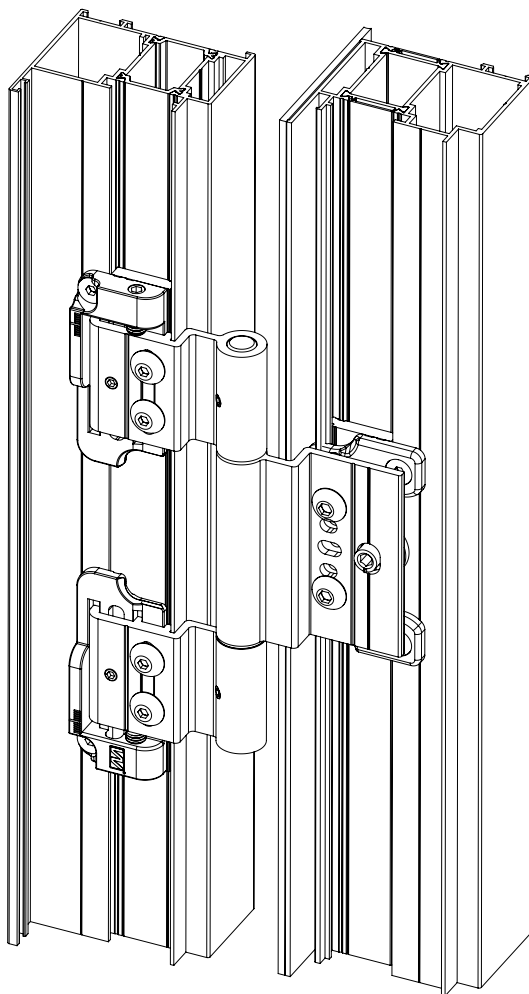


# DOBÓR ZAWIASU ROLKOWEGO WALA WR



## YAWAL TM-77-PANEL



SKRZYDŁO	OŚCIEŻNICA	WARIANT
38.24554.x 38.24555.x	38.14067.x	WR-TM77-PANEL-W1
	18.11065.x 18.31090.x	WR-TM77-PANEL-W2
	18.11077.x 18.31102.x	WR-TM77-PANEL-W3
38.24568.x 38.24569.x	38.14053.x	WR-TM77-PANEL-Z1
	38.82021.x / 18.11065.x 38.82021.x / 18.31090.x	WR-TM77-PANEL-Z2
	38.82021.x / 18.11077.x 38.82021.x / 18.31102.x	WR-TM77-PANEL-Z3